

NOTES:

- MATERIAL:
BOTTOM - GLIDCUP
PINS - COPPER CORE.D
FRAME - CRS
- PLATING:
100 - 300 u" ELECTROLYTIC Ni.
- REQUIREMENTS IN PROCUREMENT SPEC. D210001B APPLY.

DR DG 10-29-91

CHK M 10-29-91

APP DDB 10-29-91

UNLESS OTHERWISE
SPECIFIED DIMENSIONS
ARE IN -max- (A)
TOLERANCES ARE:
XXX = +/- .005

XX = +/- .01

CODE ID 69210

Z-PACKAGE

A

DRAWING NO.

REV.

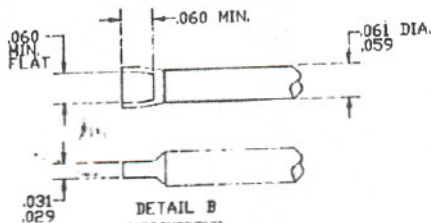
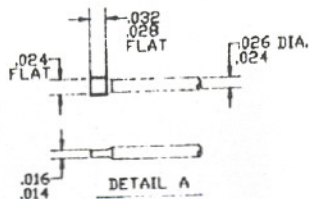
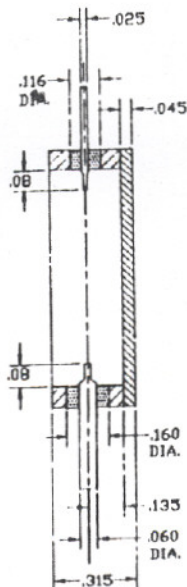
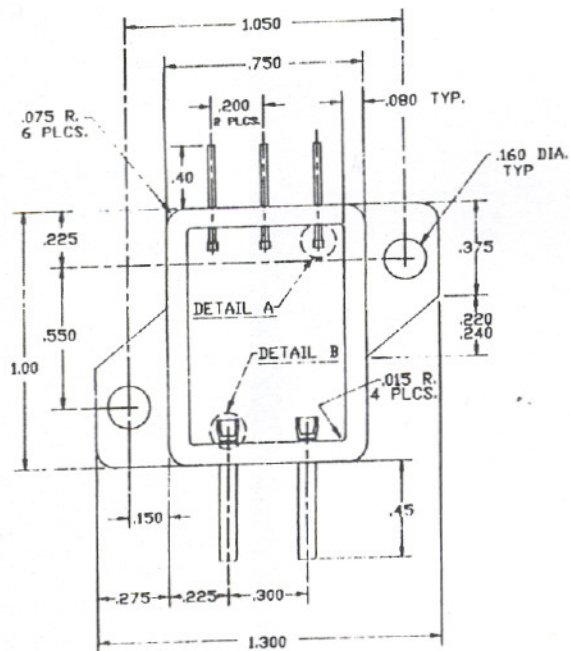
MATL:

NOTED

SCALE:

NONE

SHT. 1 OF 1



NOTES:

1. MATERIAL:
 BOTTOM - GLIDCUP
 PINS - COPPER CORE.D
 FRAME - CRS
2. PLATING:
 100 - 300 u" ELECTROLYTIC Ni.
3. REQUIREMENTS IN PROCUREMENT SPEC. D210001B APPLY.

DR DG 10-29-91
 CHK. MY 10-29-91
 APP. DRB 10-29-91

UNLESS OTHERWISE
 SPECIFIED DIMENSIONS
 ARE IN -max- (A)
 TOLERANCES ARE:
 XXX = +/- .005
 XX = +/- .01
 CODE ID 69210

Z-PACKAGE

A	DRAWING NO.	REV.
	MATL: NOTED	SCALE: NONE